

My Visit to the Mothership: ARRL HQ and W1AW

by Rob Suggs, NN4NT

The weekend of 14 March I participated in the HamSCI 2026 Workshop <https://www.hamsci.org/hamsci2026>. The workshop was held at the University of Central Connecticut, just a few minutes from ARRL HQ in Newington. On Saturday afternoon we were treated to an inside

tour of HQ and the famous W1AW station. It was pretty exciting to stand in that relatively small station, recalling how many hours I had listened to code practice and bulletins emanating from there. When Skylab was reentering in the late 1970s, their RTTY bulletins carried the equatorial crossing



Top photo: Front of W1AW with ARRL's Bob Inderbitzen, NQ1R pointing

Bottom photo: A view of W1AW's antennas from the HQ building

My Visit to the Mothership: ARRL HQ and W1AW (continued)

times and longitudes we needed to compute its visibility in our skies. I can still hear the chug-chug and smell the oil from the old teletype at our university station W5GB. But that is another story.

At nearly 100 years old, the W1AW station building is quaint and small and is surrounded by

towers with numerous antennas. It is located on Main Street, which is lined by small pre-WWII looking houses from the same era. The ARRL HQ building is located across the parking lot, behind the station building.

The station building has separate operating positions for the bulletin transmissions and the visitor operations. The bulletins come from a set of IC-7300 rigs as exciters with a variety of



Top photo: W1AW bulletin ops area with Joe Carcia, NJ1Q

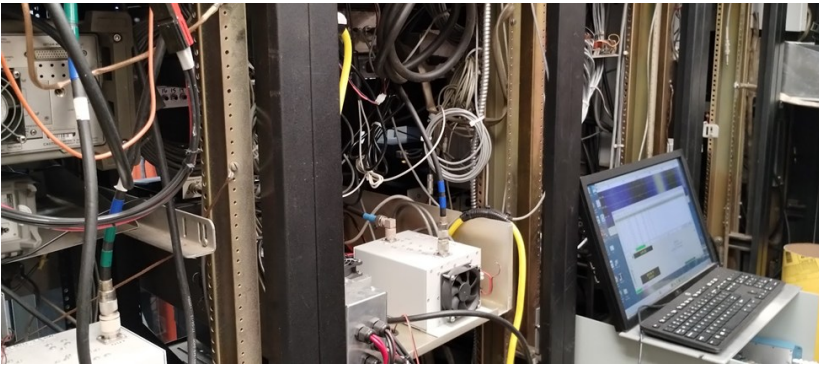
Bottom photo: A portion of the patch panel racks

My Visit to the Mothership: ARRL HQ and W1AW (continued)

amps. Just the patch panel is impressive. The photo shows the station manager, Joe Carcia NJ1Q, and the bulletin racks. I was pleased to see that behind the ultra-neat operating position and racks was a more normal-looking “messy” ham station.

There are 3 visitor operating positions with a variety of radios and amps, something for everybody.

The HQ building has a nice gift shop in the front lobby. Books and memorabilia are available there. There are also some historical artifacts like the Elser Mathers Cup, which will be claimed by the first hams to make 2-way contact from Mars to Earth and the old top hat commemorating the

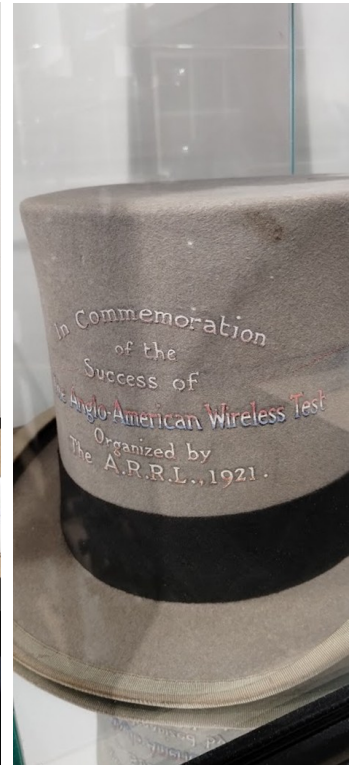


Top left: W1AW messy workbench “behind the scenes”
Center left: Rear of the bulletin transmission racks
Bottom left: One of the guest operating positions at W1AW
Right: W1AW antennas

My Visit to the Mothership: ARRL HQ and W1AW (continued)

amateur communications test between Britain and the U.S. I wonder how much time will elapse between those 2 milestones?

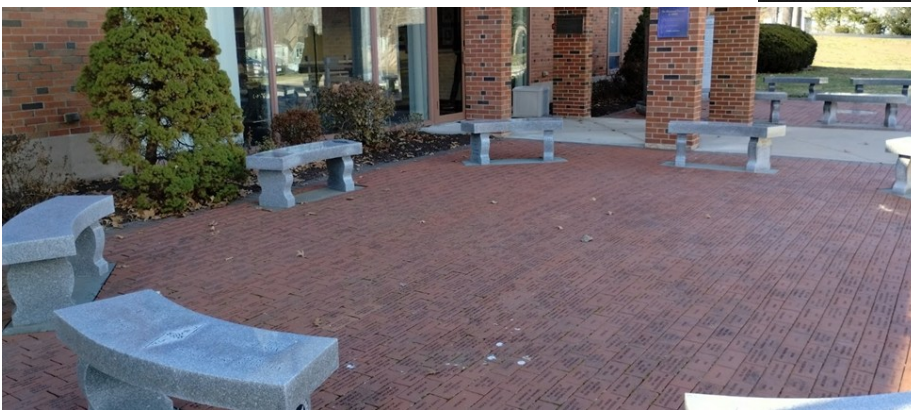
The front terrace of the HQ building is paved with the bricks commemorating numerous amateurs. Apparently, you don't have to be a silent key to buy a brick, but most are memorials. I had a short list of some that the NADXC had purchased in honor of our departed members but the ARRL staff hadn't updated their spreadsheet with the brick locations and some couldn't be found. They were very helpful and I found those for Tom Russell, Tom Duncan, and Melanie Winter.



Above: Mathers Cup (left) and Top Hat (right)

Left: The memorial bricks in the front terrace of the HQ building

Below: Bricks in memory of NADXC members Dan Whitsett, W4BRE (SK) and Tom Russell, N4KG (SK)



My Visit to the Mothership: ARRL HQ and W1AW (continued)

The HQ building also houses the ARRL labs and the Teachers Institute. The main lab bench with John McCauliffe, W1DRF and screen room (used mostly for transceiver testing) are shown on the next page. McCauliffe said the 100 dB of attenuation in the screen room was really necessary

for testing while W1AW is transmitting.

There is also a nice collection of old amateur radios next to the lab. I still find that Heathkit green very attractive. There was a Wouff Hong on old desk, just in case of any misbehavior.

The Teachers Institute is where ARRL trains teachers to use amateur radio and electronics in their classrooms. In addition to a large train-



Top photo: Brick in memory of NADXC member Melanie Winter, N4HIX (SK)
Bottom photo: Brick in memory of NADXC member Tom Duncan, KG4CUY (SK)

My Visit to the Mothership: ARRL HQ and W1AW (continued)

ing room, there is a visitor station with HF and satellite capabilities. The staff said this is the only station at ARRL where they can use their own call signs – and it came in handy in working Bouvet.

The ARRL folks made the W1AW station

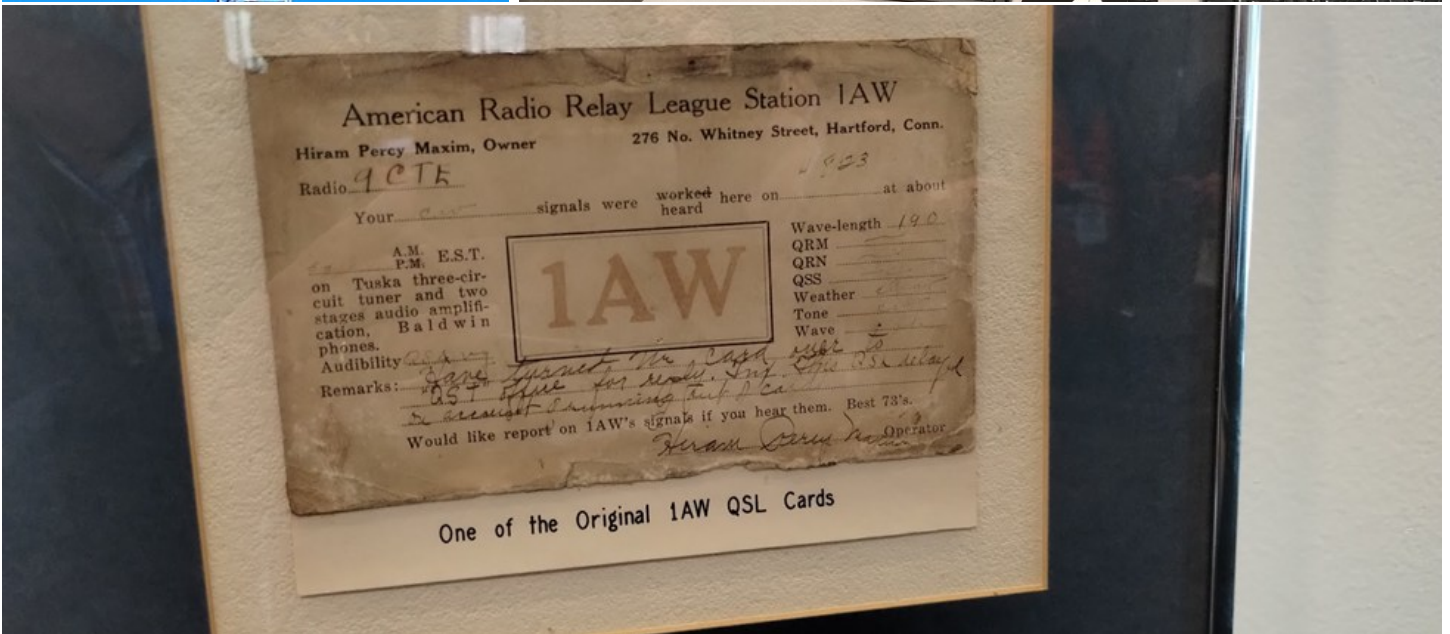
available after the banquet Saturday night, but unfortunately, I was unable to return to get on the air as W1AW. Several hams did and had a great time.

If you are ever in the Hartford CT vicinity, you should drop by and see the place and maybe schedule some time to get on the air. The history is palpable and the chance to experience the source of nearly a century of amateur signals is worth a side trip.



Top photo: ARRL's "Screen Room" for testing
Bottom photo: A Yaesu FTX-1 was on the bench for testing

My Visit to the Mothership: ARRL HQ and W1AW (continued)



Top left: Teacher Institute satellite antennas
Top right: Old rigs next to the ARRL lab
Center right: ARRL's Teacher Institute station
Bottom: An original 1AW QSL card signed by the original "Old Man"

From Here to...There?

by Jim Brown, W1WSF

The pivotal moment was the *Six Meters (6m): You Must Be Present to Win!* presentation at the Lincoln County Amateur Radio Association meeting. It was the first time I met Bruce, AC4G, who brought a burst of enthusiasm as he explained surprising propagation modes: Tropospheric Ducting, Meteor Scatter, Trans-Equatorial, and Auroral. I was instantly intrigued.

The “magic band.” I listened, wide-eyed, as Bruce described signals bouncing off auroras, skipping across continents, whispering through the ionosphere—contacts from thousands of miles away, exotic call signs, signals shimmering like Northern Lights!

I quickly decided to get on 6 meters. In hindsight, I don’t recall slide 17 — “Locals Not Hearing Rare DX Hams (6m) — Why?”

I had three 20-foot-tall, four-inch-diameter stainless steel pipe racks that I had picked up as a retirement present from a friend. I convinced my wife that it would be cheap to get on six meters. When I was done getting the materials together, I had:

- A shiny new five-element Eantenna
- 175 feet of LMR 400 coax cable
- A new rotator
- A rotator control cable costing more than a date night at a steakhouse
- Connectors engineered to survive reentry into Earth’s atmosphere
- A four-foot aluminum mast
- Various guying components

At some point, I stopped asking “Do I need this?” and started asking “Would this impress someone on a forum?”

My wife and daughter helped me pour the

concrete pad for the pipe stand. When the antenna arrived, we assembled it. Next was getting it in the air. We mounted the rotator to a plate on the pipe stand, inserted the mast, strapped the stand to my tractor’s front loader, and lifted the mast high enough to mount the antenna. Then we ran the cables from the antenna and rotator down the stand.

I could see it would be easy from here. Lift the stand, place it on the pad, and bolt it down. Just as I got the stand vertical and off the ground, the whole assembly began rotating! I quickly put it down cockeyed and realized with only one point chained to the loader, I had created a very long lever with a weight at the top. After getting everything straight, we chained the stand at a second spot, lifted it, and set it on the pad.

Finally, it was done. My gateway to auroral communication stood tall, pointed toward destiny—or at least Canada.



W1WSF’s completed 6m build

From Here to...There? (continued)

Then came the waiting. I refreshed space weather websites constantly. Kp index? Rising. Solar wind? Promising. My expectations? Astronomical.

And then—glory of glories—the aurora arrived. It was even visible at my house!

This was it. My moment. I powered up the rig, adjusted the settings, and listened. Static crackled. Signals fluttered.

I leaned in. I called CQ. And then...a signal answered—clear, strong, beautiful. I expected QSB. My heart raced as I completed the contact. Callsigns exchanged. Signal reports given. I leaned back, stunned. “I did it,” I whispered. “Auroral propagation.” I entered N4CNZ in QRZ to log the contact: Mike Rozar, two miles away. Two miles—not Finland, not Alaska, not even Kentucky. We both had a good laugh and a good QSO.

Here’s the thing: it still worked. The aurora appeared. Despite line-of-sight propagation, the signal went through, and the system functioned as designed.

Am I looking forward to the next Aurora? Absolutely. Because next time...that contact might be three miles away.

It’s time to pay 2026 membership dues.

Dues can be paid electronically at the [NADXC website](http://www.nadxc.org). Contact Jim, W1WSF (treasurer@nadxc.org) for information about other payment options.

Upcoming NADXC Meeting

Tuesday, April 14, 2026
5:45 PM doors open / 6:30 PM meeting start

Program: 3Y0K DXpedition to Bouvet Island by Dennis Ward, KT8X

Location: Signals Museum of Information Explosion, 1806 University Drive NW, Huntsville, AL 35801 and via [Zoom](https://zoom.us)

About the NADXC

2026 NADXC Officers and Directors

President	Bruce Smith, AC4G
Vice President	Fred Kepner, K3FRK
Sec./Treasurer	Jim Brown, W1WSF
Directors	Chuck Lewis, N4NM Mick Bell, N8AU Bob DePierre, K8KI (Ex-officio)

How to Join

Come to a club meeting or send in an application by mail (form on www.nadxc.org)

Monthly Meetings

Meetings are held at the Museum of Information Explosion at 6:30pm on the 2nd Tuesday of each month. Participants can also join the meeting virtually via [Zoom](https://zoom.us).

This edition of The LongPath published by Fred Kepner, K3FRK

AC4G's Bouvet Island Secret Weapon Low Band Antenna (Part 2)

by Bruce Smith, AC4G

As you recall, last month I provided an article in the LONGPATH newsletter on the design and fabrication my new "pennant" receive antenna. However, I did not have time to do any analysis on my receive antenna. Bob DePierre, K8KI volunteered to run EZNEC on my new "pennant" antenna, after the fact. This is a follow-up article that will cover his analysis of my 'new' antenna.

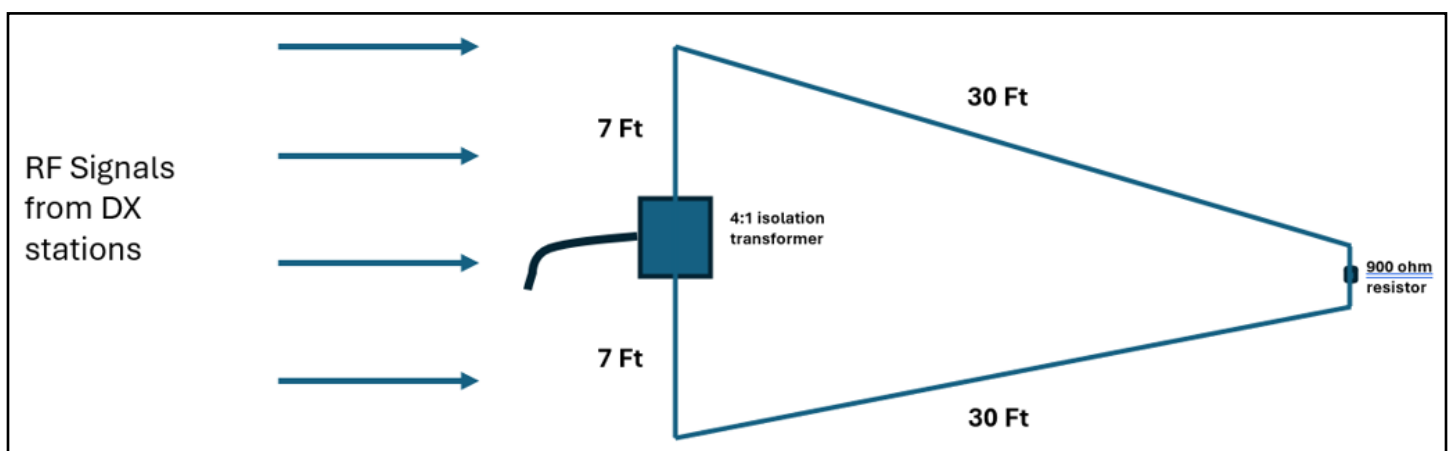
As was mentioned in last month's article, the pennant antenna is isolated electrically from ground and requires a 4:1 isolation transformer. The transformer keeps the feed line electrically isolated from the rest of the antenna. This reduces noise; hence, reduces my neighbor's electric fence interference, allowing me to receive the low band signals I am receiving on the amateur low bands, especially to the southeast where I was trying to receive the Bouvet Island DXpedition (3Y0K).

The pennant is a small, low noise receiving antenna requiring a small amount of real estate to install. Pennant antennas perform almost as well as a 1000-foot beverage antenna. The triangle shaped antenna resembles the shape of a flag,

but more like a triangle (See diagram). It exhibits a front to back (F/B) of 23 dB on 160m with a cardioid shape azimuth pattern like an EWE antenna. The null at the rear of the antenna is a cardioid pattern of at least 20dB down from the front.

The antenna is a Point-fed Pennant because it is fed at the front vertical leg of the antenna. The dimensions and termination value in this design have a 14-foot vertical section with the point of the pennant 30 feet from the vertical section. The point of the Pennant is 30 feet from the vertical section. The bottom of the pennant is 1 to 3 feet above the ground while the termination resistor is approximately 900 ohms. Raising the antenna height from 1 foot to 25 feet has no effect on the pattern or feed point impedance. The rear of the cardioid pattern has a null that is 37.5 dB down from the front. Feed point resistance is ~860 - 950 Ohms with zero reactance.

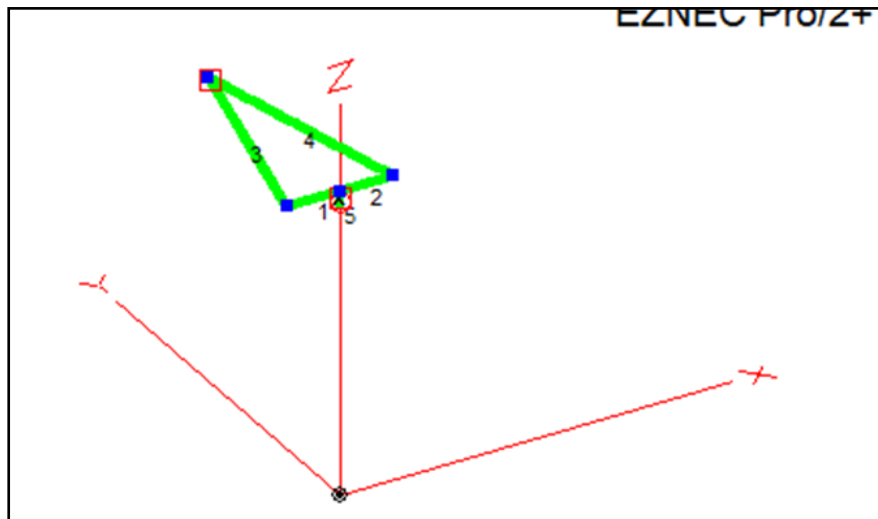
The diagrams on the next page were developed by Bob, K8KI using EZNEC illustrating the characteristics of my current "pennant" receive antenna.



Pennant receive antenna diagram (arrows show direction of incoming DX signals)

AC4G's Bouvet Island Secret Weapon Low Band Antenna (continued)

View of antenna:



50-ohm drive:

Sources								
Source Edit Other								
Sources								
No.	Specified Pos.		Actual Pos.		Amplitude	Phase	Type	
	Wire #	% From E1	% From E1	Seg	(V, A)	(deg.)		
▶ 1	5	50	50	3	1	0	I	

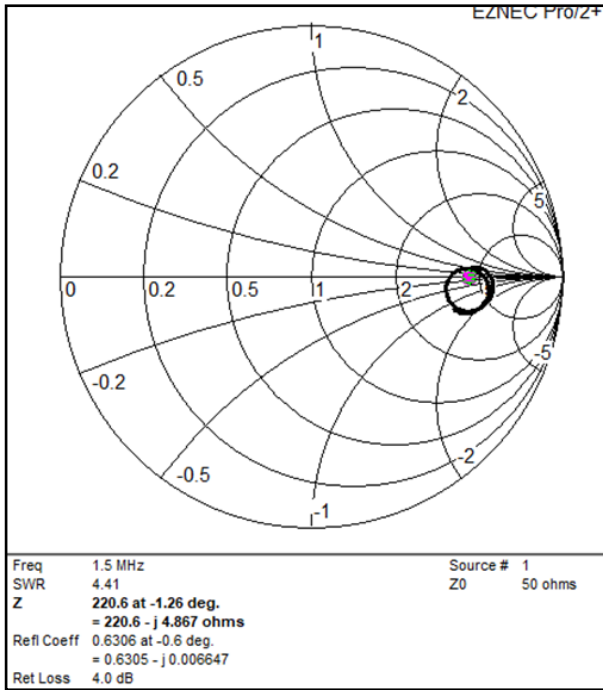
4:1 Transformer:

Transformers											
Xfmr Edit											
Transformers											
No.	Port 1 Specified		Port 1 Act		Port 2 Specified		Port 2 Act		Port 1	Port 2	Rev/Norm
	Wire #	% From E1	% From E1	Wire #	% From E1	% From E1	Rel Z	Rel Z			
▶ 1	1	100	99.505	5	50	50	200	50	N		

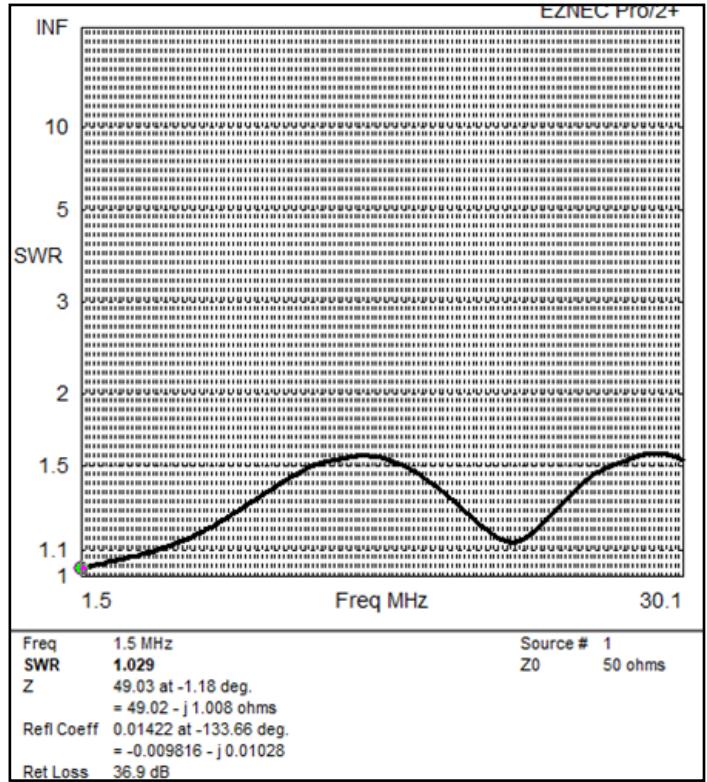
Wires:

Wire Create Edit Other														
<input type="checkbox"/> Coord Entry Mode <input type="checkbox"/> Preserve Connections <input type="checkbox"/> Show Wire Insulation <input checked="" type="checkbox"/> Show Loss														
Wires														
No.	End 1				Conn	End 2				Diameter (in)	Segs	Wire Loss		
	X (ft)	Y (ft)	Z (ft)			X (ft)	Y (ft)	Z (ft)	Conn			R (ohm-m)	Perm	Type
1	-7	0	40		W3E1	0	0	40	W2E2	#12	101	0	1	Zero
2	7	0	40		W4E1	0	0	40	W1E2	#12	101	0	1	Zero
▶ 3	-7	0	40		W1E1	0	30	40	W4E2	#12	101	0	1	Zero
4	7	0	40		W2E1	0	30	40	W3E2	#12	101	0	1	Zero
5	0	0	39			0	0	38		#12	5	0	1	Zero

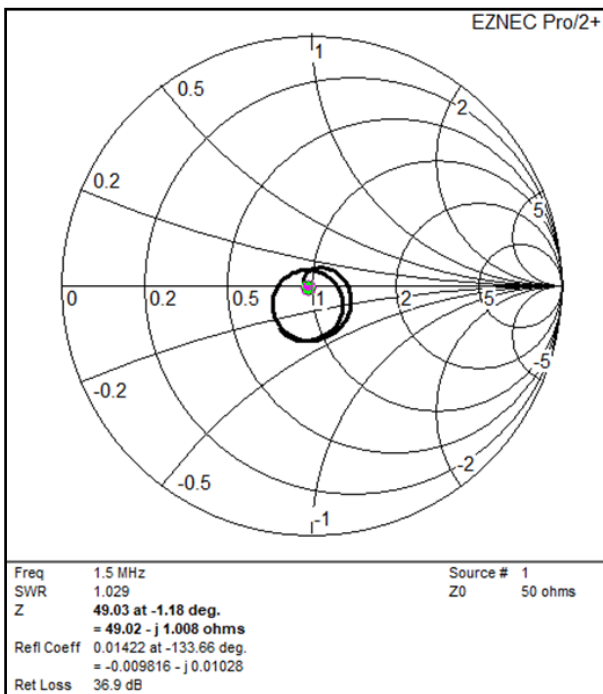
Below is the Smith chart impedance, sweeping 1.5-30MHz. Bob's analysis indicates that the antenna does NOT resonate much, indicating that my balun choice was not correct - it needs a bigger ratio.



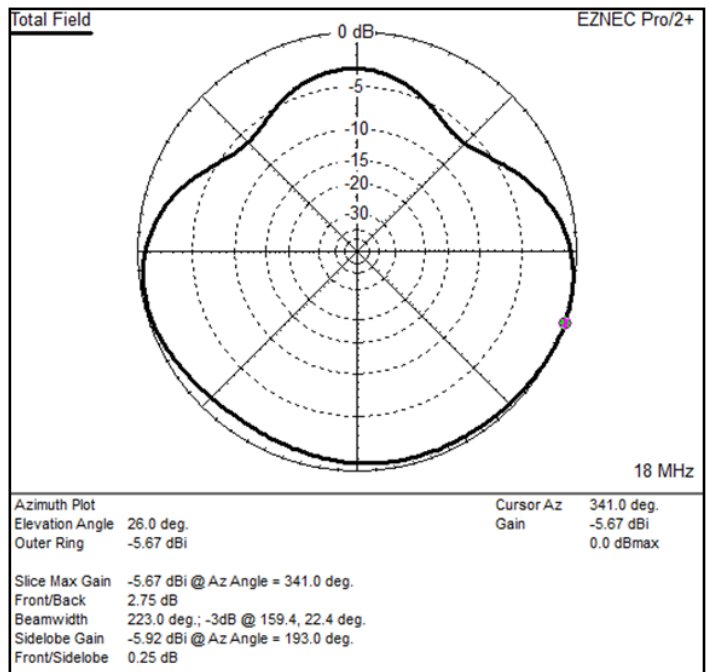
SWR for above Smith chart. This puppy never goes much above 1.5:1. See below.



The diagram that follows is a Smith chart with a 900:1 impedance ratio. This is much better than the lower ratio impedance that I currently employed in my design!

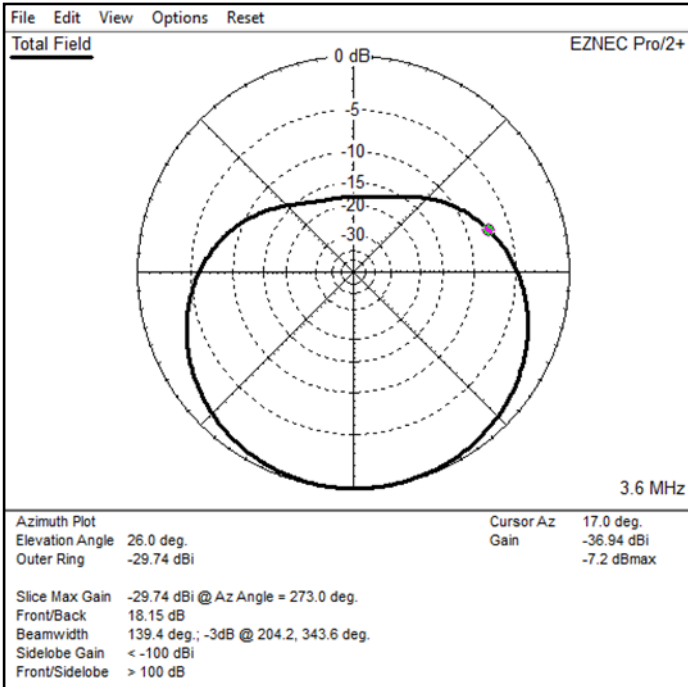


The Far Field Plot at 26 degrees - Up @ 18MHz, Max Gain = 3.16dBi. This was calculated using 900:1. The "gain" is very low. See below.



AC4G's Bouvet Island Secret Weapon Low Band Antenna (continued)

This "Far Field Plot" at 3.6MHz, 26 degrees up, with max gain = 6.37dBi results in more directional gain, which is about right for this type of antenna. See below.



To better understand and fine tune any antenna, whether it is for transmission of RF signals or merely receiving RF signals, one needs to run EZNEC or similar antenna modeling software to help optimize its performance. Even though I was in a time crunch to hear Bouvet Island on my "pennant", I could have better received those weak signals if I had taken the time to optimize my receive antenna's performance. Thanks to Bob DePierre, K8KI for helping me characterize my antenna while also showing me how I could improve this antenna's performance. Don't be afraid to seek help if you need to characterize your antenna(s) performance using antenna modeling software.



**DX & Contest
Convention**

SEPTEMBER 19th, 2026

LeConte Hotel and Convention Center

(formerly The Mainstay—where it all began...)

410 Pine Mountain Road

Pigeon Forge, TN, 37863

Hotel Reservation 865-428-8350

www.W4DXCC.org

... to bring DXers and Contesters together in fellowship

Flea Market 8am-12pm behind the Hotel

Convention Starts 8am till 4pm



- RADIOS
- PCS
- GAMING GEAR
- MAKERS
- GADGETS
- PERSONALIZED GEAR

WANT TO
**SHOP THE
HOTTEST
WEEKLY DEALS**

SUBSCRIBE AT:
GIGAPARTS.COM/NEWSLETTER

GigaParts
Technology Superstore

Shop these and more at GIGAPARTS.COM!

6123 University Drive
Huntsville, AL 35806

FOLLOW US ON SOCIAL MEDIA
[@gigaparts](https://www.instagram.com/gigaparts)



Signals from the Past



This month's feature comes from the December 1981 edition of the LongPath. In addition to the November 1981 meeting minutes, it includes a member biography with station info, some humor, and discussion of the club's recent membership growth in the President's column.

North Alabama DX Club LONGPATH

VOLUME II DECEMBER 1981 NUMBER 12

The Longpath is published the first week of each month. Articles of interest should be submitted to the editor by the last week of each month.

OFFICERS OF THE NORTH ALABAMA DX CLUB FOR THE YEAR 1981
PRESIDENT.....Ed Clark, K4KFH
SECRETARY-TREASURER.....Johnny Winter, KR4F

Von Jurk with a micro-sized brain
Slowly drives all the locals insane,
Making hideous noise
As he roars at the boys
With his gain past the threshold of pain.

The meeting this month will be December 18, 1981 at the Redstone Arsenal Officers Open Mess in the Patio Room.

6:30.....Social Time, Cash Bar, and Entertainment
7:30.....Dinner
8:15.....Business Meeting

A G E N D A

- | | |
|---------------------------------|---------------------------------------|
| Old Business | President's Award |
| By-Law Vote | DX'er of the Year |
| DX Needs List | OUTGOING OFFICERS REMARKS (Swan Song) |
| Election of Officers | Johnny, KR4F |
| Awards | Ed, K4KFH |
| Most Countries Confirmed in 81 | INCOMING OFFICERS REMARKS |
| Called out most needed DX on 30 | PRESIDENT AND SEC. MANDATORY, OTHERS |
| Most outstanding New Member | OPTIONAL |
| | MORE FUN TIL..... |

PEARLS OF WISDOM BY THE OLD TIMER

Some of the local QRP'ers were sitting around recently, doing what they excel at....talking. Some worked over the subject as to what is the biggest danger to DXers....mentioning falling off towers, putting one's arm across a hot power supply and other tricks which guarantee instant publicity. Finally they put the question to the Old Timer. He looked out at the rain clouds on the ridge across the valley, thought a bit and finally said: "I think the 300 country-worked sticker cleans out more DXers than anything else." One QRP'er instantly jumped to his feet, questioning: "How can that be? That hardly makes sense". The Old Timer would say no more, but, Son of a Gun! The more we thought about it, the more we wondered. How many DXers have faded away after grasping that 300 country-worked sticker? All we could get out of the Old Timer was that when you have the mostest, you can expect the leastest.

Signals from the Past

FROM THE PREZ.....by Ed, K4KFH

Oh well, who needs a FB8W anyway? Only me and a few thousand other DXers that's all! Since its the time of year for proposing a toast, I propose a toast to the speedy arrival and use of an external VFO by FB8WG.

Speaking of proposing a toast and celebrations, I am really looking forward to our club Christmas party at the Officers Club on December 18. I sure hope you are all planning to attend. We are going to have a lot of fun, a great meal, and Sonny WA4OOM is working up some good entertainment for us all. We will have election of officers for 1982, club member awards will be announced, the new DX Needs lists will be handed out and if you come, you will be assured of a fun time.

Just as this is the time of year for celebration, it is also the time of year for reflection. If you do not mind, and even if you do, I would like to reflect on what I think has happened to our club over the past two years.

I believe 1980 was a transition year from the "old" North Alabama DX Club to the "new" one. In 1978-79, the club membership grew significantly and by 1980 problems brought on by increased membership were putting a severe strain on the way the "old" club was organized and on the way it had functioned since its founding. While most of the new and the old members had a lot in common some in each group felt frustration, anger, disappointment and other growing pains. 1980 was a difficult year for some members and a tough one in which to be President. However, Bill, W4DJJ, with your help made that difficult transition from the "old" to the "new". He laid the foundation for the new North Alabama DX Club. I feel that in 1981 we together built on that foundation. During 1981, I feel, we have put behind us all those growing pains. We have pulled together and have maintained and/ or improved all club services and we have restructured the club so that the routine business and other functions of the club can be run more efficiently.

It has been a busy year, and I want to thank all of you who have been committee heads or have served on committees. You all have done good work throughout the year. I especially want to thank Johnny, KR4F, whose support, ideas and hard work I very much appreciate. I, also want to thank those of you who did not have specific tasks to do. You have helped through your attendance, your votes, your ideas, and your support of club activities. As I said at the Christmas dinner last December, the members of this club have a lot of talent and are among the best DXer's in the world. I wish you all a Merry Christmas and a Happy New Year.

Ed
73's Ed, K4KFH

.....
NORTH ALABAMA DX CLUB MINUTES NOVEMBER 10, 1981

A regular meeting of the North Alabama DX Club was held at the Western Sizzlin on South Parkway, Tuesday evening, November 10, 1981.

At N4AVB's premeeting social, everyone introduced themselves and Don, WB4HOK reported on the success of the Hamfest. Ed, K4KFH, announced that WA4PSF had just gotten his extra. He, also, read a letter from WB4HOK, Chairman of the Huntsville Hamfest, thanking the NADX club for its participation in the hamfest.

The meeting was called to order at 1920 CST by the president, K4KFH, with KR4F as secretary.

Sonny, WA4OOM, reminded the secretary that the minutes of the last meeting should show that Larry, KE4DQ, was sponsored for membership by N4AJZ. With the correction, the minutes of the last meeting were approved as published in the Longpath.

N4AJZ reported that the club placed 21st in the nation in the 1981 ARRL DX contest. He then led discussion on the club awards program. He handed out award ballots and

Signals from the Past

reminds everyone that their votes must be in to him by the first week in December.

Tinker, KX4U, moved that a new award, the President's award, be added the award to be given at the President's discretion in recognition of exemplary service to the club. There being a second from Nancy, KD4JD, the motion was adopted.

On behalf of the nominating committee, Bill, W4DJJ, reported a list of candidates shown on the attached sample ballot, who have agreed to serve as 1982 officers, if elected. The President then called for nominations from the floor. There being none, on motions from WA4OOM, K4IKR nominations were voted ceased on the offices of directors, president, and secretary/treasurer, respectively.

Bill, W4DJJ, moved that the BY-LAWS be amended by substituting the words "January 1" and "December 31" for the words "September 1 and August 31 in the fiscal year by-law--substituting the word "November" for the word "May" in the annual meeting by-law--and replacing all after "shall assume" in the installation of Directors by-law with the words "shall be installed at the December meeting--and that the words "installation meeting" in the budget by law be replaced with the words "first meeting of the new fiscal year." There being a second the above amendments will be voted on at the next meeting.

Doh, WA4VLB, reported on preparations for the annual Christmas party. He has arranged for the Patio Room at the Redstone Arsenal Officer's Open Mess, at 1830. Friday evening, December 18, 1981. Menu will be steamship round (with carver), choice of two vegetables, tossed salad, relish tray, Waldorf Salad, choice of dessert. We can even go back for seconds. The buffet will be removed 30 minutes after the last person goes through the line. The price will be \$14.50 per couple (includes tip). However, for a spread like that, we need a minimum of 50 persons (25 couples), so Please come to the Christmas party this year. Checks should be sent to WA4VLB, Don Steenburn, 3324 Charity Lane, Tony, Ala 35773.

On motion by K4IKR, seconded by KX4U, adopted a resolution that in appreciation for the hard work on the needs list, Lania Rivamonte be invited to be the club's guest at the Christmas party.

A ballot was then taken on the pending membership, and Larry, KE4DQ was Adopted as a member of the NADXC.

N4KG then presented the program, which consisted of an interesting comparative report on the relative gain of several popular commercial amateur antennas.

There being no further business, the meeting was adjourned at 2045 CST.

KR4F, Sec/Treas.

.....
WORDS OF WISDOM ? ? ? ?

One of the local QRPers came up the hill last week and as soon as we saw him hopping from foot to foot in exasperation, we knew something had happened. "Some times I wonder about people," the QRPPer said, "and especially those who are always there when you don't need 'em." We had to ponder all of this awhile for after there are things not easily understood where QRPers are concerned. "What happened this time?" we asked and that simple query go us the full story. ? ✓

" I was down at the green grocers," the QRPersaid, "doing a check of the melon crop, I am sure that you know the way to determine if a cantaloupe is ripe is to shake it. If it is ripe you can hear the seeds slosh around inside. You under-

Signals from the Past

stand that, don't you?" We were cautious at this point and we nodded our head without saying a word.

"Well," the QRPer continued, "there I was shaking the melons and early in the season you come across a lot of green ones. All the little old ladies were standing around and watching me. Seems that they wanted ripe melons but did not know how to pick them out. So I was shaking and the old girls were listening and everything was going well. Then some wanted to check the watermelons and I had to show them how you check the watermelons and I had to show them how you check the blossom end with a fingernail. When the watermelon is ripe, your thumbnail will penetrate the skin with a crisp snap. A green one and you can't even make a dent. If it is overripe, you might lose the whole thumb into the melon. But a nice crisp snap and you will have a good watermelon." All of this was news to us and we were just sitting and nodding our head as though we knew this all the time but inwardly we were already planning our next reconnaissance of the vegetable stands. "What happened?" we asked and the QRPer sighed. "One of those local DX Policemen showed up and started to get things organized. He took over, made a list of those who wanted canteloupes and those ~~who wanted canteloupes and those~~ who wanted watermelons. Each was assigned a number to show their place on the list and he then set up a schedule for the times we could work the watermelon stand and the times for the canteloupe stand. Then he was not satisfied and divided the lists up again for those going through the "Express" check-out line and those going the regular slow route. Soon all we had was a mob of people trying to get to the melons and the Policeman driving them back to wait their turn. And hardly anyone was doing any shaking or pinching except one old geezer from Mill Valley who kept saying to the melon he was shaking. "Was my report five by nine? Five by nine? Local QRM is taking you out. " Heck! We were all organized for going nowheres. Nowheres! Son of a Gun!!! We had to nod our head in sympathy for we have often noted the dangers of overorganization and under-utilization when the regimenters step in. You are better off shaking your own cateloupe and the next time at the supermarket, do it yourself! SHAKE YOUR OWN CANTELOUPE!!! PINCH YOUR OWN WATERMELON!!!!!!!!!!!!!!

.....
HUMDINGERS by K 4 Radios Southern Bum.....

William A. Creel, N4UV's, station consist of a Drake TR-7, R-7, Dentron MLA-2500 and mono band antennas of 20 meters at 75 feet, 15 meters at 60 feet, 10 meters at 50 feet, plus a 40 meter rotatable beam. One thing you can say for Bill, "He never does anything halfway." He got his first amateur license in 1965 with a technician ticket. He has held two other calls, WA4ZPQ and WA4RNO. In 1977 he updated to Extra Class.

Bill was born in Boaz, Alabama and lived there for fourteen years. He attended Military schools in Montgomery and Atlanta, before moving to Tampa. After completing high school in Florida he returned to North Alabama. He enrolled at Sneed College and two years later transferred to Auburn for a year. Bill left Auburn for a two year "hitch" in the Navy. After being discharged from the service, he completed his education at the University of Alabama and graduated in 1962 with a degree in Business Administration.

Bill moved to Huntsville in 1962. He and his wife, Dee Ann, have two daughters, April who is 14 and Holly 17. They both attend Grissom High. Bill works for the Army in the Missile Logistics Center. He is presently working on a pilot program for the Joint Committee of Congress on an automated printing system. Bill is a member of the Huntsville Amateur Radio Club and the International DX Foundation.....P.S. Since all of my articles have been on Huntsville members I would appreciate someone in Florence, Decatur, Tennessee area sending in an article on an Amateur in their respective areas.

73's K4RSB.....

Upcoming DX Contests

by Chuck Lewis, N4NM

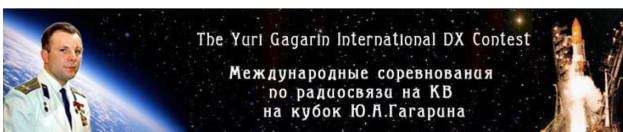


OK/OM DX Contest, (SSB), (160-10 Meters)

Apr. 11, 1200Z to Apr. 12, 1159Z

Exchange: RS plus serial; OK/OM send RS plus county code (3 letters)

See: Page 77 April QST and www.okomdx.crk.cz



Yuri Gagarin International DX Contest, (CW), (160-10 Meters)

Apr. 11, 1200Z to Apr. 12, 1159Z

Exchange: RST, ITU zone

See Page 77, Apr. QST and www.gcontest.ru



Japan Int'l. DX CW Contest (CW), (160-10 Meters)

Apr. 11, 0700Z to Apr. 12, 1300Z

Exchange: RST plus CQ zone; JAs send RST plus prefecture

See page 77, Apr. QST and www.jidx.org

IG-RY RTTY Contest (DIG), (80-10 Meters)



Apr. 12, 1200Z to Apr. 13, 1800Z

Exchange: RST & year first licensed (2-dig.)

See page 77, Apr. QST and www.ig-ry.de

Africa FT4 DX Contest, (DIG), (80-20 Meters)



Apr. 12, 1500 to Apr. 12, 1800Z

Exchange: Signal rpt & 4-char grid

See page 79, Apr. QST and mysarl.org.za



YU DX Contest (CW & SSB), (160-10 Meters)

Apr. 19, 0700Z to Apr 20, 0700Z (see website for times)

Exchange: RS(T) plus serial or YU county

See page 79, April QST and

www.yudx.yu1srs.org.rs



CQMM Contest, (CW), (80-10 Meters)

Apr. 18, 0900Z to Apr. 19, 2359Z

Exchange: RST, continent abbrev., member code (if any)

See Page 77, Apr. QST and www.cqmmdx.com

EA-QRP CW Contest, (CW), (80-10 Meters)



Apr. 18, 1700Z to Apr. 19, 1200Z

Exchange: RST, category (see website), "M" if member

See page 77, Apr. QST and

www.eaqrp.com

Upcoming DX Contests

(continued)

SP DX RTTY Contest, (DIG), (80-10Meters)



Apr. 25, 1200Z to Apr. 26, 1200Z

Exchange: RST, plus Serial # or SP province

See Page 77, April QST and <https://pkrvg.org/strona.spdxrttyen.html>

ES Open HF Championship, (CW & SSB), 80 & 40Meters)



Apr. 17, 0500Z to Apr. 18, 0859Z

Exchange: RS(T), Serial #

See page 77, QST and www.erau.ee

International Vintage Contest HF, (CW,SSB), (80 & 40 Meters)



April 19, 0700Z to 1900Z

Exchange: RS(T), 6 Char. Grid

See page 77, April QST and vintage-contest.webnode.it

Helvetia Contest, (CW, SSB, DIG.), (160-10Meters)



Apr. 25, 1300Z to Apr. 26, 1259Z

Exchange: RS(T) plus Serial # or Swiss canton

See page 77, April QST and www.uska.ch/contest

OTHERS:

- Worldwide Holyland Contest, April 17, 2100Z to Apr18, 2059Z
- Worked All Provinces of China DX Contest, April 18, 0600Z to April 19, 0559Z

- Dutch PACC Digital Contest, April 18, 0700Z to April 18, 1900Z
- UKEICC DX Contest, CW, April 30, 2000Z to April 30, 2100Z
- UA1DZ Memorial Cup, April 26, 1300Z to 1859
- ARI International DX Contest, May 2, 1200Z to May 3, 1200Z
- CQ-M International DX Contest, May 9, 1200Z to May 10, 1159Z

Dates & times often change or are misprinted in the journals; beware.

Contest information acquired from: <http://www.contestcalendar.com/contestcal.html>





DXpeditions in April 2026

Reprinted with permission of Bill Feidt, NG3K



Start	End	Entity	Callsign	QSL	Notes
2026 Feb26	2026 May15	Minami Torishima	JD1	JA8CJY	By JG8NQJ as JG8NQJ/JD1 fm IOTA OC-073 (QL64xg); 17 15 12m; mainly CW, some FT8; 50w; spare time operation; exact end date uncertain
2026 Mar09	2026 Apr12	Bahamas	C6APS	LoTW	By WA4PAW fm Treasure Cay, Abaco I; 20-10m; FT8 CW SSB; 20w; spare time operation; QSL via Club Log OQRS or WA4PAW direct
2026 Mar23	2026 Apr18	St Kitts & Nevis	V4	LoTW	By SP9FIH as V4/SP9FIH; also V47K; 30-6m; SSB FT8 FT4, perhaps RTTY; QSL via Club Log OQRS
2026 Mar25	2026 May31	Galapagos	HD8R	M00XO	By LU5DX; HF; QRV for CQ WPX SSB
2026 Mar26	2026 May31	Western Sahara	S09S	LoTW	By S01A S01AH fm Tifariti, Sahrawi Republic; HF; SSB CW EME QO-100+ digital; 100w; QRV for CQ WPX SSB and CW; QSL via Club Log OQRS
2026 Mar28	2026 Apr10	French Polynesia	FO	LoTW	By F6BCW as FO/F6BCW fm Tikehau, Tuamotu; 80-6m; CW SSB; QSL via F6EXV or Club Log OQRS
2026 Mar28	2026 Apr11	Easter I	CE0Y	LoTW	By as CE0Y/DJ4EL fm Rapa Nui (IOTA SA-001); 20-6m; mainly SSB; 800w; QSL via DJ4EL (B/d) or Club Log OQRS
2026 Mar30	2026 Apr06	Canary Is	EA8	LoTW	By DA2DX as EA8/DA2DX fm Fuerteventura I (IOTA AF-004); HF; CW SSB RTTY FT4 FT8; holiday style operation; QSL via Club Log OQRS or DA2DX direct (no EQSL, no Email QSL)
2026 Mar31	2026 Apr05	Guyana	8R	Club Log OQRS	By PY8WW as 8R/PZ5TW fm Corriverton; 80-10m; SSB CW + digital
2026 Apr03	2026 May20	Rodrigues I	3B9N	VU3OPT	By VU3OPT; 20 15 10m; CW
2026 Apr08	2026 Apr08	Svalbard	JW	LoTW	By KK6IK as JW/KK6IK fm Spitsbergen I (JQ78tf); 40-15m; CW; QRP
2026 Apr11	2026 Apr25	Guinea	3X3A	IK2WAD	By IV3FSG fm Roume I (IOTA AF-051); 80-6m; SSB CW FT; 2 low power stations
2026 Apr11	2026 May01	St Kitts & Nevis	V47EM	LoTW	By G0TLE fm Calypso Bay, St Kitts I (IOTA NA-104); @V47JA; 80-10m; CW SSB; holiday style operation; QSL via Club Log OQRS or G0TLE direct
2026 Apr16	2026 Apr30	Bermuda	VP9KF	See Info	By G4BKI fm Bailey Bay; 160-10m; CW; QSL: c/o Paul Evans, 15 Watch Knob Lane, Swannanoa, NC 28778, USA
2026 Apr17	2026 Apr22	Fiji	3D2JK	LoTW	By SP5APW fm Lakeba I (IOTA OC-095); 20-6m; mainly FT8, SSB; QSL via Club Log OQRS
2026 Apr19	2026 Apr30	Marquesas	TX9W	LoTW	By K5WE W5CCP N5TEA K4VBM WD5COV F6BCW fm Atuona, Hiva Oa I (IOTA OC-027); 160-6m; CW FT8 FT4 SSB RTTY; 6 stns; QSL via K5WE
2026 Apr23	2026 May01	Lesotho	7P8WR	LoTW	By IZ?EVI IZ?EWJ IZ6DSQ; HF; SSB FT8
2026 Apr25	2026 May08	Gambia	C5	LoTW	By F4AGG F5RAV as C5C (SSB CW) and C5D (RTTY PSK FT8); HF; QSL C5C via F5RAV direct; QSL C5D via LoTW only
2026 Apr25	2026 Apr30	Mongolia	JT0LR	R9LR	By R9LR R8LCM fm rare grid squares; HF; SSB CW + QO-100
2026 May05	2026 Jul20	French Polynesia	FO	LoTW	By F6BCW as FO/F6BCW fm Tikehau, Tuamotu; 80-6m; CW SSB; QSL via F6EXV or Club Log OQRS
2026 May08	2026 May09	Jersey	MJ	LoTW	By KO7T as MJ/KO7T fm IOTA EU-013; 17-10m; CW SSB FT8 RTTY; QSL via Club Log OQRS

Club Business and Announcements

March Meeting Minutes and Financial Report

by Jim Brown, W1WSF

Minutes

Bruce, AC4G, opened the March 10 meeting at 6:30 pm at the Signals Museum. Eighteen members attended in person, with five joining via Zoom. Non-member Greg Wright (KB4LLL) introduced himself and shared his radio history. Bruce announced Nick Marinelli, KQ4OYD, had applied for membership and paid his 2026 dues. Nick summarized his DX activities and goals. The club approved his membership unanimously.

Bruce reviewed the DX worked list. Many members reported working Bouvet, 3YOK. However, he noted the 160M antenna failed before he could contact them on Top Band.

Bruce noted the upcoming Tullahoma Hamfest and encouraged members to attend.

Mark Brown, N4BCD, reported on his Orlando HamCation trip with the Huntsville Hamfest group. He mentioned perfect weather, good vendor sales, and many Ham YouTubers with RVs at the convention. Kelly Johns, W4VPZ, also attended.

Bruce reported that the NADXC logo now appears on the S21WD and 3YOK DXpedition pages.

A discussion was held regarding the club 2M repeater. The 147.90 repeater is still down, and the club is using the 147.18 repeater. Bruce noted that many Bouvet contacts were completed

due to club members supporting each other on the repeater. The Board of Directors met with the owner of the property where the club repeater is located. The owner is working with other groups to resurrect the downed tower. Fred mentioned the possibility of giving the owner a \$500 memento for hosting the repeater in the past. Fred also mentioned that NARA believes the damage to the tower is extensive and would not allow its tower climbers to work on it. If any NADXC club members want to help the owner with the tower, they may do so personally, but the club will not be providing any official resources. Chuck, N4NM, mentioned that the club will need to provide funding to NARA for the use of the 147.18 repeater. Mark Brown, N4BCD, is concerned with the loss of the frequencies associated with the previous repeater if it is not active.

Kelly Johns, W4VPZ, is the trustee of the NADXC callsign, W4QB. She is working with the FCC to unify the information on the ULS record so that it is all connected to her.

Last month's minutes and financial report were approved. Then, Bruce reported that the Board had selected Bubba's as the banquet food vendor. Following this, Jim, W1WSF, noted that

NADXCC Balances

	Jan-26	Expected 12-26	Feb-26	YTD Diff
Checking	\$ 7,352.26	\$ 5,426.26	\$ 6,764.85	
Savings	\$ 5.00	\$ 5.00	\$ 5.00	
CD	\$ 10,000.00	\$ 10,400.00	\$ 10,000	
Paypal	\$ 66.41	\$ -	\$ 85.00	
Total	\$ 17,423.67	\$ 15,831.26	\$ 16,854.85	(\$569)

Bubba's down payment was made.

Jill, K4TXT, reported that she is updating the door-prize vendor letter and will send it to the Board of Directors for approval.

The meeting adjourned at 7:12pm, followed by Alan Le Vie, KH7AL, presenting on his activation of Wake Island.

Financial Report

Some dues were received in March but many members still have not paid for 2026. If you are unsure of your status, please check your "year" on the membership list on the [NADXC website](#).

Due to some issues with Avadian bank, I am in the process of moving our club bank accounts to Regions Bank.

Prize request emails will be sent to Hamfest vendors and past sponsors prior to the April NADXC meeting.

2026 NADXC March Budget Report

Category	Budget	Mar	YTD
Income			
Banquet Raffle	\$ 300	\$ -	\$ -
Banquet Ticket Sales	\$ 4,950	\$ -	\$ -
Club Dues	\$ 920	\$ 65	\$ 571
Donations - Equipment Sales	\$ -	\$ -	\$ 40
Huntsville Hamfest Donation	\$ 450	\$ -	\$ -
From Avadian CD	\$ -	\$ -	\$ -
Total Income	\$ 6,620	\$ 65	\$ 611
Expenses			
Awards			
ARRL Bricks	\$ -	\$ -	\$ -
Plaques	\$ 315	\$ 22	\$ 33
Awards Subtotal	\$ 315	\$ 22	\$ 33
Banquet			
Drinks	\$ 200	\$ -	\$ -
Food	\$ 2,980	\$ 200	\$ 200
Grand Prize	\$ 550	\$ -	\$ -
Insurance	\$ 120	\$ -	\$ -
Speaker room Travel	\$ 450	\$ -	\$ -
PayPal Fee	\$ 304	\$ -	\$ -
Venue	\$ 600	\$ -	\$ -
Banquet Subtotal	\$ 5,204	\$ 200	\$ 200
Dxpeditions	\$ 2,000	\$ 246	\$ 246
Operating Expenses			
Harc Zoom	\$ 50	\$ -	\$ -
Miscellaneous	\$ -	\$ 2	\$ 2
Museum Meetings	\$ 700	\$ -	\$ 700
Web Hosting	\$ 77	\$ -	\$ -
Operating Expenses Total	\$ 827	\$ 2	\$ 702
Picnic	\$ 200	\$ -	\$ -
Total Expenses	\$ 8,546	\$ 534	\$ 1,180
Difference	(\$1,926)		(\$569)

North Alabama DX Club (NADXC)

“Club Fact Sheet”

Who We Are: NADXC is a group of active radio amateurs with a deep compassion for working DX, contesting, and other aspects of Amateur Radio. We welcome everyone who is interested in joining our club. NADXC members are active in all facets of DX and contesting. The NADXC also donates funding for various DXpeditions all over the world. The NADXC sponsors a DX Banquet in mid-August of every year in conjunction with the Huntsville Hamfest in Huntsville, Alabama. NADXC members moderate various programs at club meetings and during the Huntsville Hamfest, covering amateur radio technical and operating topics for all to learn and enjoy. The NADXC sponsors a prestigious award at the end of year for the most deserving DXer of the Year from the NADXC club.

DX Funding Policy: The policy supports major DXpeditions that meet our requirements for financial sponsorship. Details are available on the NADXC website and in the “LongPath” newsletter.

Club History: The NADXC was organized in December 1966 by a group of 12 charter members. The original constitution was adopted and signed on December 19, 1966. The first chairman was Dan Whitsett, W4BRE (SK). In the early-1970's, the NADXC was custodian of the W4, K4 QSL Bureau which became such a huge undertaking that it eventually was passed to other larger clubs. In January of 1977, the club bought a VHF repeater for sharing DX spots and hosting a weekly net on Wednesday nights. The repeater was located on Redstone Arsenal, Weeden Mountain using the frequencies of 147.91/147.31 MHz on two meters. Today, the repeater has been relocated and utilizes the frequencies of 147.90/147.30 MHz, with a callsign of W4QB. The weekly net has been discontinued. In 1980, the club started the monthly newsletter known as the “LongPath” which currently continues to be produced every month.

While organized as a DX club, NADXC members are active in all aspects of the hobby. We trust that this information will be of interest to all and hope all hams have a long and pleasant association with the NADXC.

Requirements for Membership: The NADXC welcomes all hams radio operators who have an interest in DXing. It does not matter whether you are a new ham, a seasoned ham operator, an old-timer to DXing, or a ham who has just been hit with the DX bug; everyone is welcome! See the club website: www.nadxc.org. Dues are paid in January of every year.

Meetings: The NADXC club meets the second Tuesday night of every month, with the current location at the Signals Museum of Information Explosion (MIE) located at 1806 University Drive, Huntsville, Alabama and virtually via Zoom. Some members gather early to eat their dinner, socialize, discuss DX worked, and then we have a short business meeting starting at 6:30 P.M. CT. followed by an exciting, interesting program to help, entertain, and teach members about DX and amateur radio in general.

Club Officers: There are four elected officers (President, Vice-President, Secretary, and Treasurer) and three elected directors on the NADXC Board of Directors. The current roster of club officers and directors can be seen of the NADXC web site or in the “Longpath” newsletter, which is uploaded each month to the club website.

Website: The NADXC club maintains a website at www.nadxc.org. This site provides club information and activities throughout the year about a variety of subjects related to the club, DX, and amateur radio.